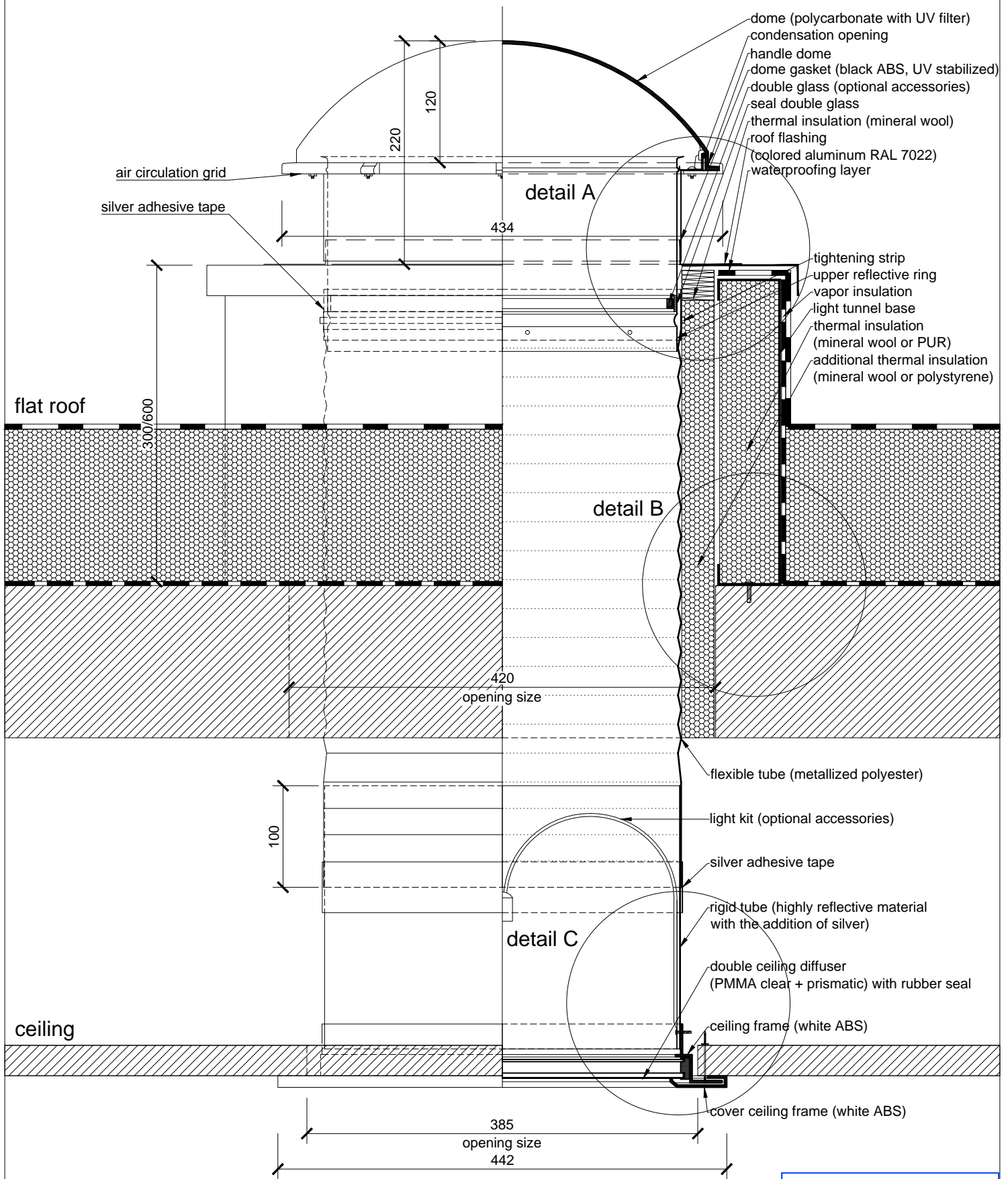


# Light tunnel ALLUX 350 Combi - flat roof



## TECHNICAL DRAWING ALLUX

ALLUX - STAV, spol. s r.o.  
 phone: +420 281 865 636  
 mail: info@allux.cz  
 web: www.svetlovod.cz/en/  
 Prague, Czech Republic

DRAWING CONTENT:

Light tunnel ALLUX 350 Combi - flat roof

PREPARED:

ALLUX - STAV s.r.o.

FORMAT:

1 x A4

DATE:

01/2015

SCALE:

1:5

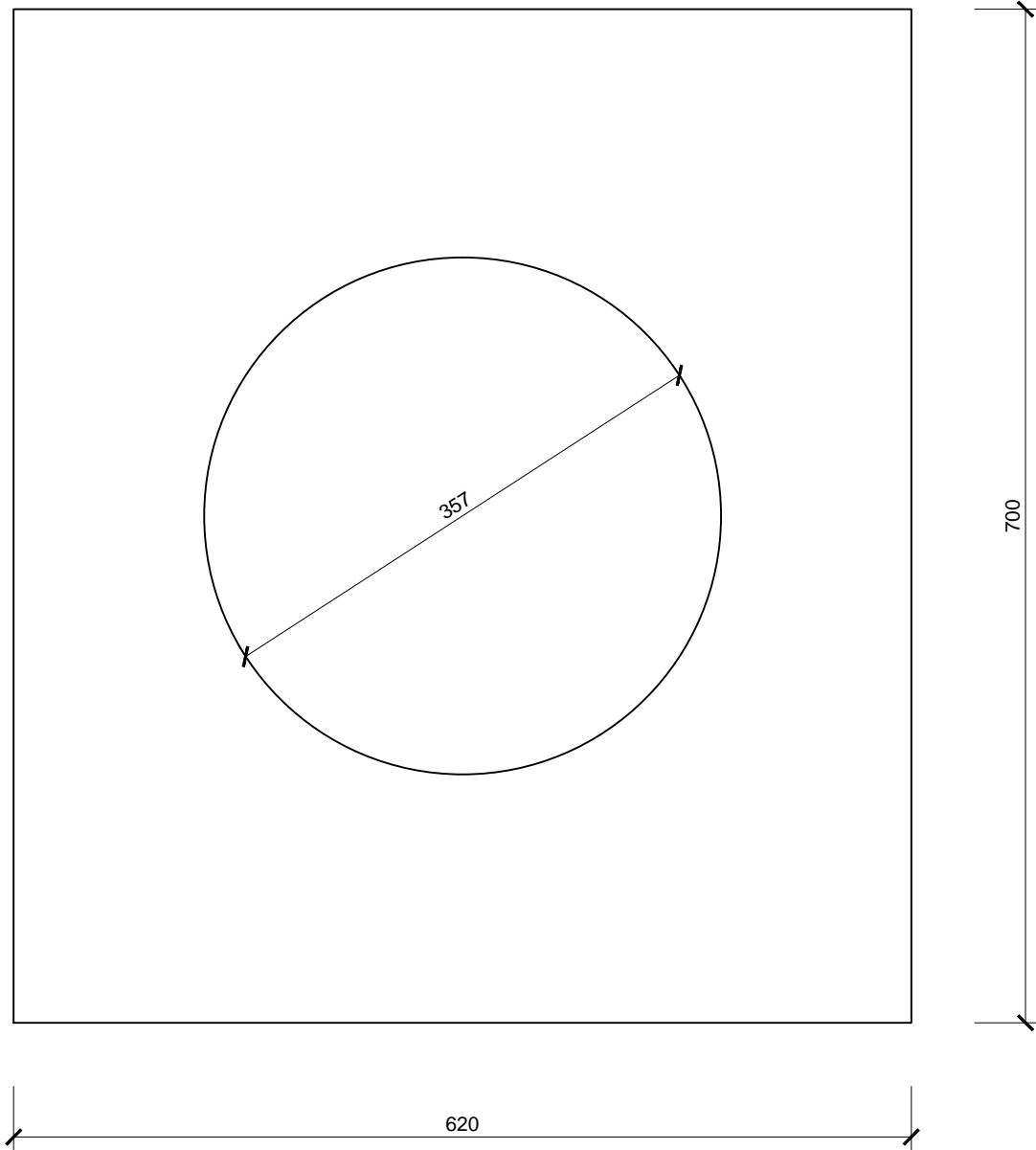
DRAWING NUMBER:

-

# Light tunnel ALLUX 350 Combi - flat roof - metal sheet

roof flashing (colored aluminum RAL 7022)

colored aluminum RAL 7022 (roof mounted)



## BUILDING READINESS TO FLAT ROOF:

- max. outer dimensions of the light tunnel base 580 x 660 mm
- light tunnel base height 300/600 mm above the supporting roof

0 0.25m

**ALLUX**<sup>®</sup>

## TECHNICAL DRAWING ALLUX

ALLUX - STAV, spol. s r.o.  
phone: +420 281 865 636  
mail: info@allux.cz  
web: www.svetlovod.cz/en/  
Prague, Czech Republic

DRAWING CONTENT:

Light tunnel ALLUX 350 Combi - flat roof - metal sheet

PREPARED:

ALLUX - STAV s.r.o.

FORMAT:

1 x A4

DATE:

01/2015

SCALE:

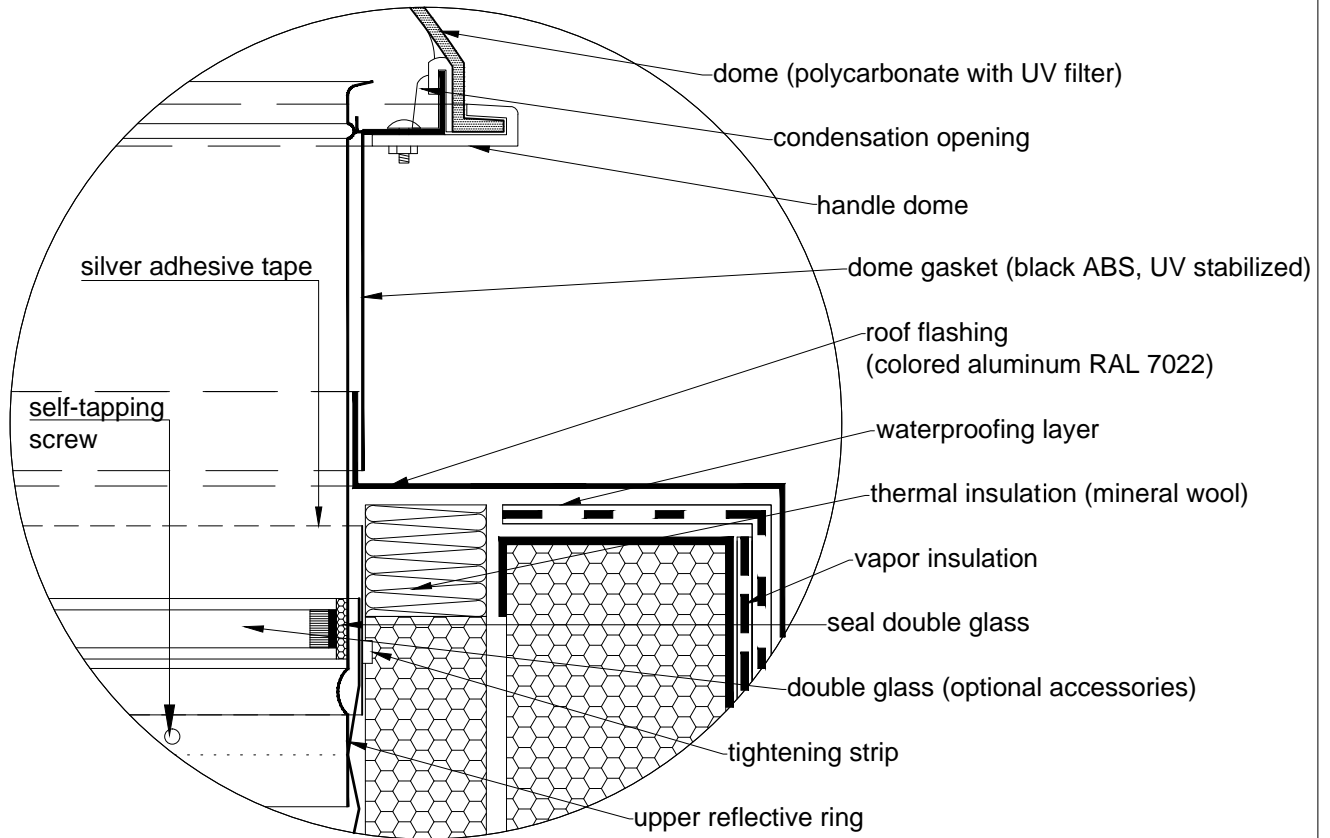
1:5

DRAWING NUMBER:

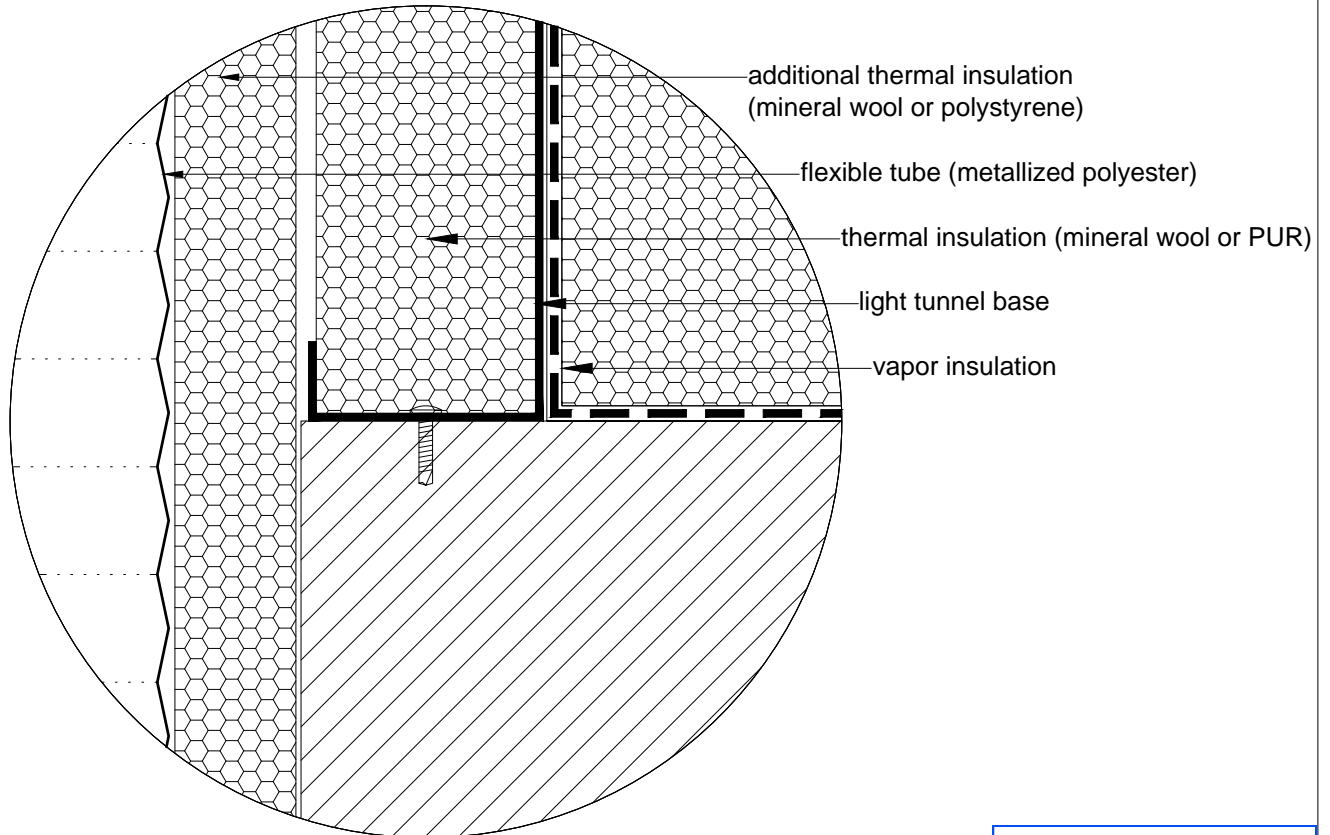
-

# Light tunnel ALLUX 350 Combi - flat roof - details

detail A



detail B



0 0.1m



## TECHNICAL DRAWING ALLUX

ALLUX - STAV, spol. s r.o.  
 phone: +420 281 865 636  
 mail: info@allux.cz  
 web: www.svetlovod.cz/en/  
 Prague, Czech Republic

DRAWING CONTENT:

Light tunnel ALLUX 350 Combi - flat roof - details

PREPARED:

ALLUX - STAV s.r.o.

FORMAT:

1 x A4

DATE:

01/2015

SCALE:

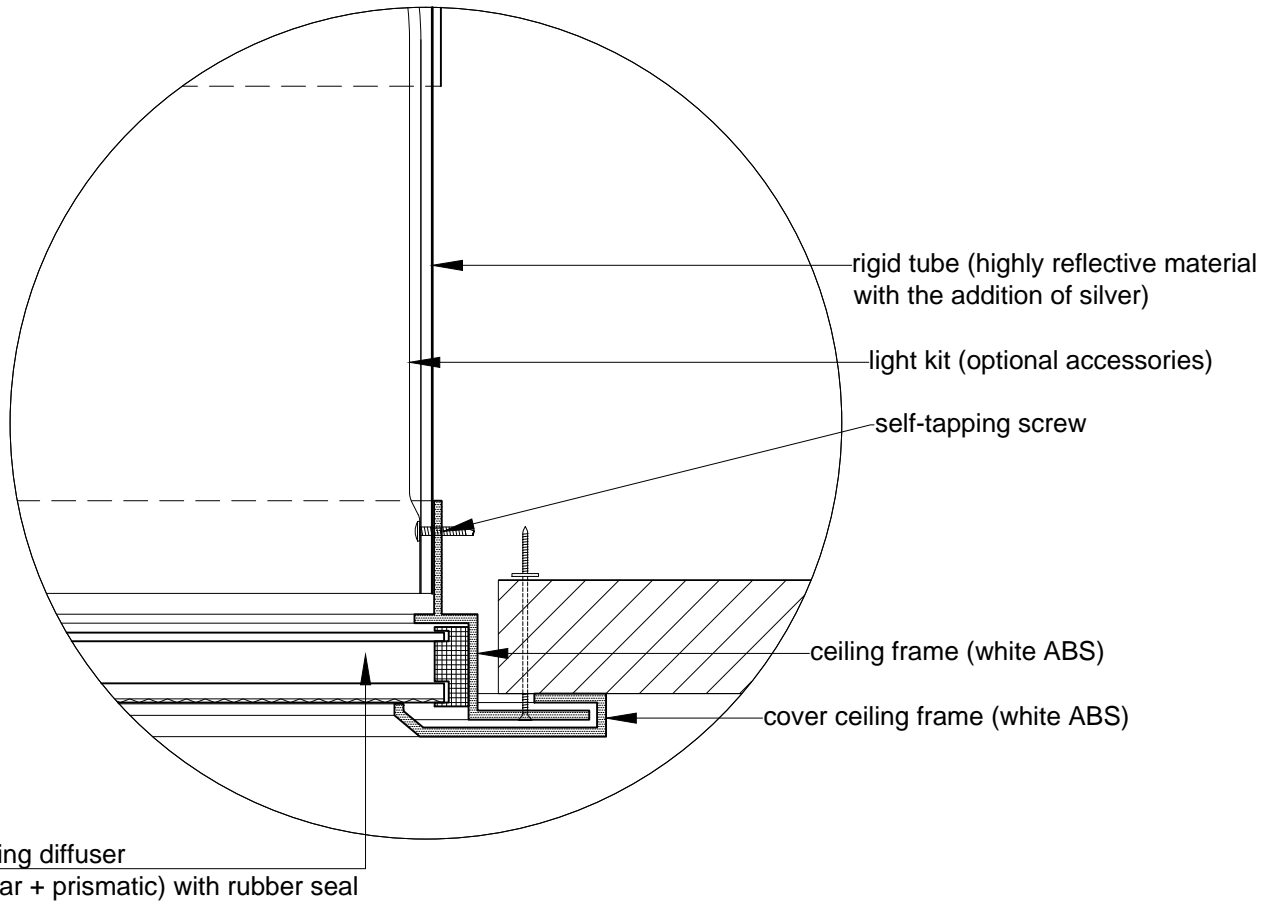
1:2

DRAWING NUMBER:

-

# Light tunnel ALLUX 350 Combi - flat roof - details

detail C



0 0.1m

**ALLUX**<sup>®</sup>

## TECHNICAL DRAWING ALLUX

ALLUX - STAV, spol. s r.o.  
 phone: +420 281 865 636  
 mail: info@allux.cz  
 web: www.svetlovod.cz/en/  
 Prague, Czech Republic

DRAWING CONTENT:

Light tunnel ALLUX 350 Combi - flat roof - details

PREPARED:

ALLUX - STAV s.r.o.

FORMAT:

1 x A4

DATE:

01/2015

SCALE:

1:2

DRAWING NUMBER:

-